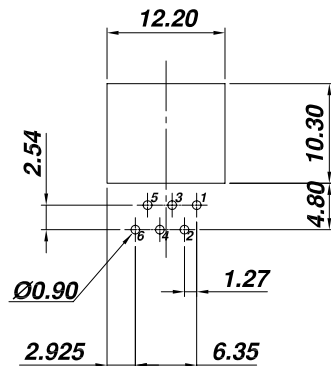
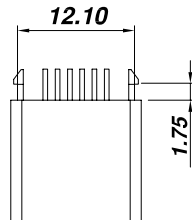
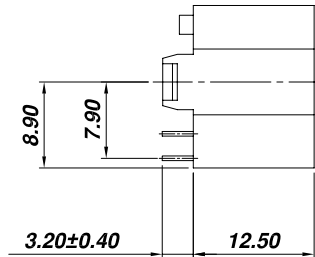
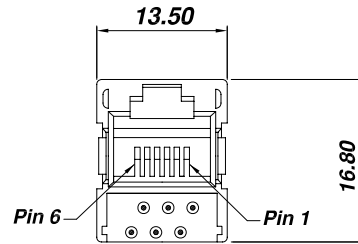


RoHS Compliant



**PCB LAYOUT**  
( Bottom View )

**SPECIFICATION :**

**1. Electrical Char.**

- Insulation Resistance : 500M-Ohm Min. 500V DC. for 1 minute.
- Contact Resistance : 30milli-Ohm Max.
- Rating Current : 1.5A Max.
- Rating Voltage : 150V AC.
- Dielectric Voltage : 1,000 Vrms at 1MA 60 Sec. Min.

**2. Physical char.**

- Housing (Option) : For Waving Soldering Process
  - PBT Glass Filled (UL 94V-0),Soldering Temperature:235°C for 5 Sec.
  - Nylon (UL 94V-0),Soldering Temperature:260°C for 5 Sec.
- Color : Black Color
- Spring Wire :
  - 0.45mm Dia Phosphor Bronze Gold Plating Over Nickel
- Temperature Range : - 40°C / +85°C
- Durability : 750 Mating cycles Min.

**AJ-002-6-X-XX**

B=6p2c, C=6p4c  
D=6p6c

L=PBT Glass Filled  
R=Nylon

Gold plated  
1=15u, 4= 6 u  
2=30u, 5= 2-3u  
3=50u, 6= Flash

**ALLSUN CORPORATION**

9FL,NO.292 SEC.7 CHENG TEH ROAD.TAIPEI TAIWAN.

E - mail Address : [allsun@globalsources.com](mailto:allsun@globalsources.com)

TITLE

**RJ11 or RJ12 BOTTOM ENTRY PCB JACK**

**UL & cUL FILE NO. E131820**

MODULAR JACKS ASSY FOR

**AJ-002-6-X-XX**

SCALE SIZE DWG. NO. 9622 SERIES

DWG. NO. <b>AST002A01-1</b>	NOT SCALED DRAWING	TOLERANCE UNLESS OTHERWISE NOTICE	INCH	MM	DR. <i>Steven</i>	DATE <b>MAY-31 '13</b>	
	THIRD ANGLE PROJECTION	LINEAR	MM INCH	.00±0.01 .000±0.005 .0000±0.002	.00±0.25 .000±0.13 .0000±0.05	CK'D <i>Johnn</i> APP'D <i>Billy</i>	<b>MAY-31 '13</b>
		ANGLE +0° 30'		RADII	+0.45 -0.15	<b>MAY-31 '13</b>	