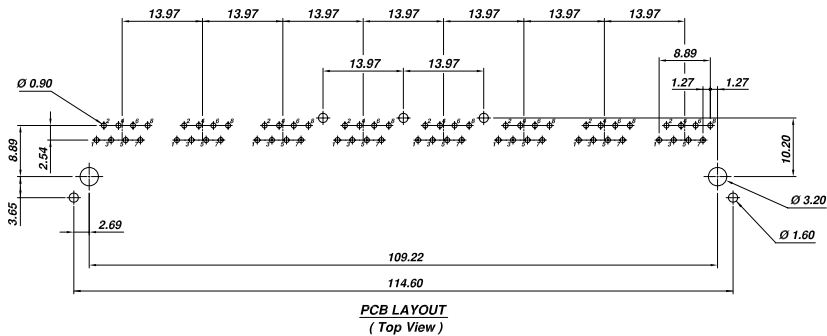
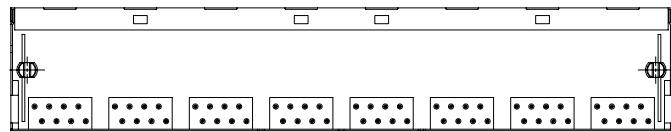
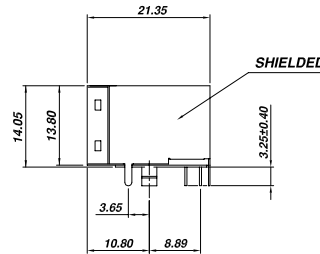
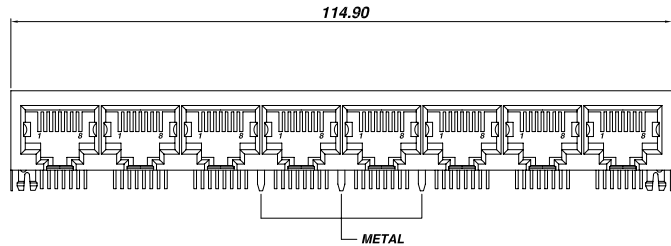


RoHS Compliant



**SPECIFICATION :**

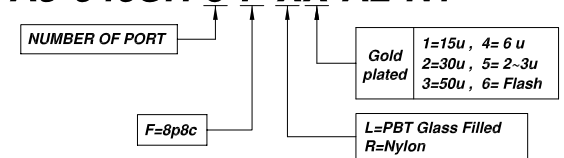
**1. Electrical Char.**

Insulation Resistance : 500M-Ohm Min. 500V DC. for 1 minute.  
 Contact Resistance : 30milli-Ohm Max.  
 Rating Current : 1.5A Max.  
 Rating Voltage : 150V AC.  
 Dielectric Voltage : 1,000 Vrms at 1MA 60 Sec. Min.

**2. Physical char.**

Housing (Option) : For Waving Soldering Process  
 PBT Glass Filled (UL 94V-0), Soldering Temperature: 245°C for 5 Sec.  
 Nylon (UL 94V-0), Soldering Temperature: 260°C for 5 Sec.  
 Color : Black Color  
 Spring Wire :  
 0.45mm Dia Phosphor Bronze Gold Plating Over Nickel  
 Shielded : Brass Plating Nickel  
 Temperature Range : - 40°C / +85°C  
 Durability : 750 Mating cycles Min.

**AJ-040SH-8-F-XX-A2-N1**



**ALLSUN CORPORATION**  
 9FL,NO.292 SEC.7 CHENG TEH ROAD.TAIPEI TAIWAN.  
 E - mail Address : [allsun@globalsources.com](mailto:allsun@globalsources.com)

**TITLE** 1x8 8POSITIONS  
 SIDE ENTRY SHIELDED PCB GANG JACK  
 UL & cUL FILE NO. E131820

**MODULAR JACKS ASSY FOR**  
**AJ-040SH-8-F-XX-A2-N1**

**SCALE SIZE DWG. NO. 9690-S SERIES**

DWG. NO.

**AST040B87-1**

NOT SCALED DRAWING	TOLERANCE UNLESS OTHERWISE NOTICE	INCH	MM	DR. <i>Steven</i>	DATE <b>MAY-31 '13</b>
THIRD ANGLE PROJECTION	LINEAR	.00±0.01 .000±0.005 .0000±0.002	.00±0.25 .000±0.13 .0000±0.05	CK'D <i>Johnn</i>	<b>MAY-31 '13</b>
	ANGLE +0° 30'	RADII	+0.45 -0.15	APP'D <i>Billy</i>	<b>MAY-31 '13</b>