

RoHS Compliant

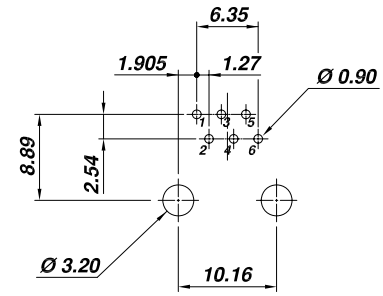
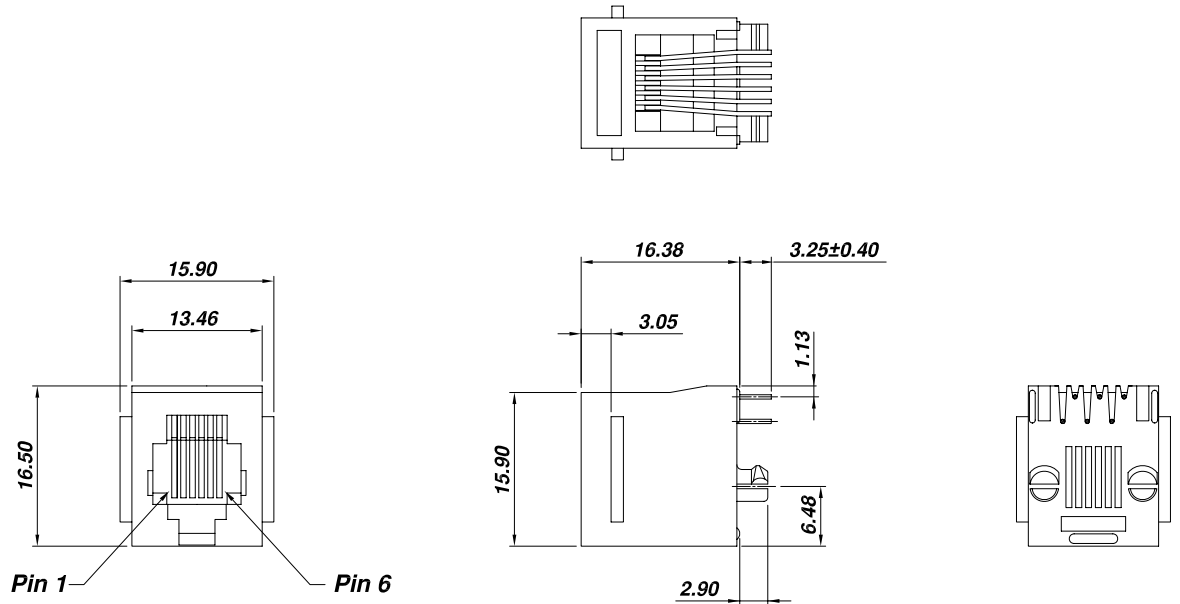
SPECIFICATION :

1. Electrical Char.

- Insulation Resistance : 500M-Ohm Min. 500V DC. for 1 minute.
- Contact Resistance : 30milli-Ohm Max.
- Rating Current : 1.5A Max.
- Rating Voltage : 150V AC.
- Dielectric Voltage : 1,000 Vrms at 1MA 60 Sec. Min.

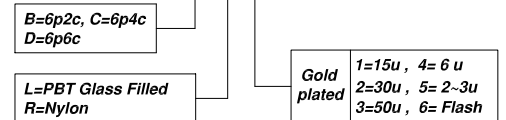
2. Physical char.

- Housing (Option) : For Waving Soldering Process
 - PBT Glass Filled (UL 94V-0),Soldering Temperature:235°C for 5 Sec.
 - Nylon (UL 94V-0),Soldering Temperature:260°C for 5 Sec.
- Color : Black Color
- Spring Wire :
 - 0.45mm Dia Phosphor Bronze Gold Plating Over Nickel
- Temperature Range : - 40°C / +85°C
- Durability : 750 Mating cycles Min.



PCB LAYOUT
(Top View)

AJ-012-6-X-XX



ALLSUN CORPORATION
9FL,NO.292 SEC.7 CHENG TEH ROAD.TAIPEI TAIWAN.
E - mail Address : allsun@globalsources.com

TITLE	
RJ11 or RJ12 TOP ENTRY PCB JACK UL & cUL FILE NO. E131820	
MODULAR JACKS ASSY FOR AJ-012-6-X-XX	
SCALE SIZE DWG. NO.9607 SERIES	

DWG. NO. AST012A03-1	NOT SCALED DRAWING	TOLERANCE UNLESS OTHERWISE NOTICE	INCH	MM	DR. <i>Steven</i>	DATE MAY-31 '13	
	THIRD ANGLE PROJECTION	LINEAR	MM INCH	.00±0.01 .000±0.005 .0000±0.002	.00±0.25 .000±0.13 .0000±0.05	CK'D <i>Johnn</i> APP'D <i>Billy</i>	MAY-31 '13
	MM INCH	ANGLE +0° 30'	RADII	+0.45 -0.15		MAY-31 '13	