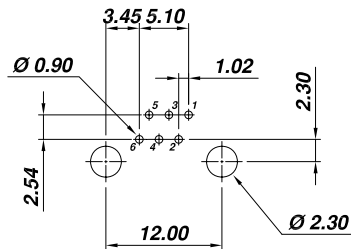
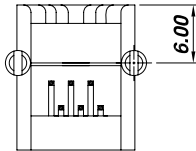
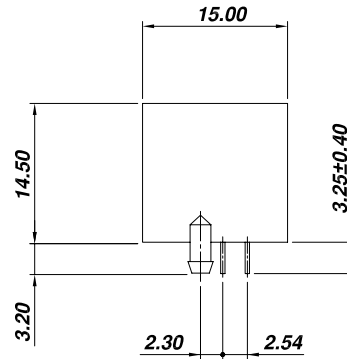
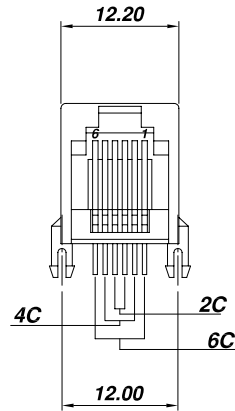


RoHS Compliant



PCB LAYOUT
(Top View)

SPECIFICATION :

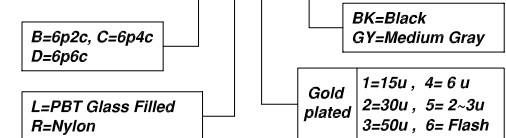
1. Electrical Char.

- Insulation Resistance : 500M-Ohm Min. 500V DC. for 1 minute.
- Contact Resistance : 30milli-Ohm Max.
- Rating Current : 1.5A Max.
- Rating Voltage : 150V AC.
- Dielectric Voltage : 1,000 Vrms at 1MA 60 Sec. Min.

2. Physical char.

- Housing (Option) : For Waving Soldering Process
 - PBT Glass Filled (UL 94V-0),Soldering Temperature:235°C for 5 Sec.
 - Nylon (UL 94V-0),Soldering Temperature:260°C for 5 Sec.
- Color : Black / Medium Gray Color
- Spring Wire :
 - 0.45mm Dia Phosphor Bronze Gold Plating Over Nickel
- Temperature Range : - 40°C / +85°C
- Durability : 750 Mating cycles Min.

AJ-011-6-X-XX-XX



ALLSUN CORPORATION

9FL,NO.292 SEC.7 CHENG TEH ROAD.TAIPEI TAIWAN.
E - mail Address : allsun@globalsources.com

TITLE

**RJ11 or RJ12 Mini Low Profile PCB Jack
UL & cUL FILE NO. E131820**

MODULAR JACKS ASSY FOR

AJ-011-6-X-XX-XX

SCALE SIZE DWG. NO. 9606 SERIES

DWG. NO.

AST011A02-1

| | | | | | |
|------------------------|--------------------------------------|-------------------|-------------------|-----------------------|---------------------------|
| NOT SCALED DRAWING | TOLERANCE UNLESS OTHERWISE NOTICE | INCH | MM | DR. <i>Steven</i> | DATE MAY-31 '13 |
| THIRD ANGLE PROJECTION | LINEAR | $\frac{MM}{INCH}$ | $\frac{MM}{INCH}$ | CK'D <i>Johnn</i> | MAY-31 '13 |
| | ANGLE +0° 30' | RADII | +0.45 -0.15 | APP'D <i>Billy</i> | MAY-31 '13 |